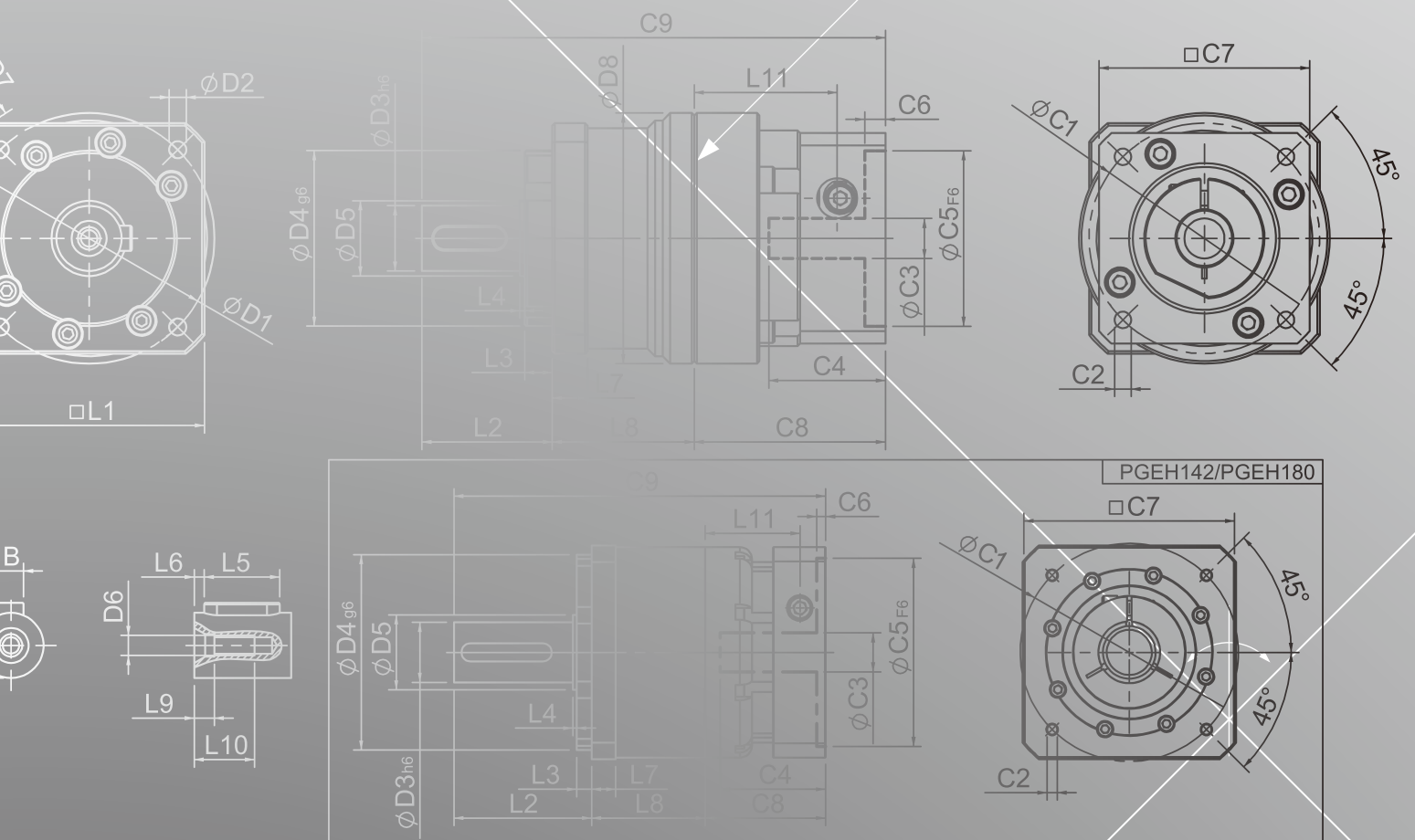
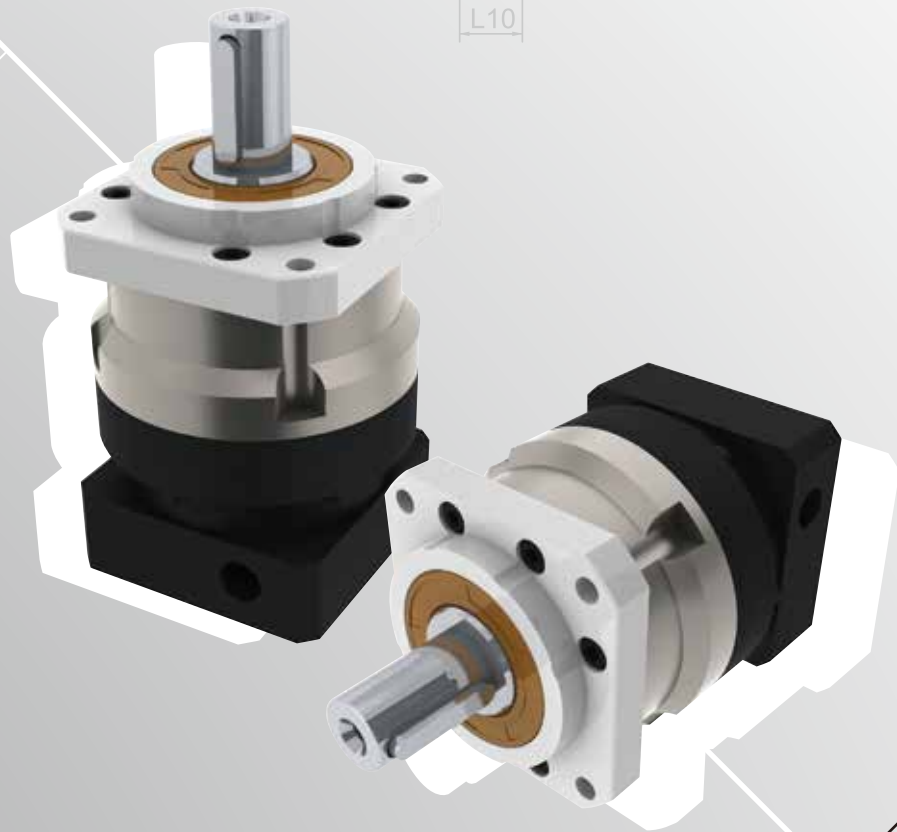
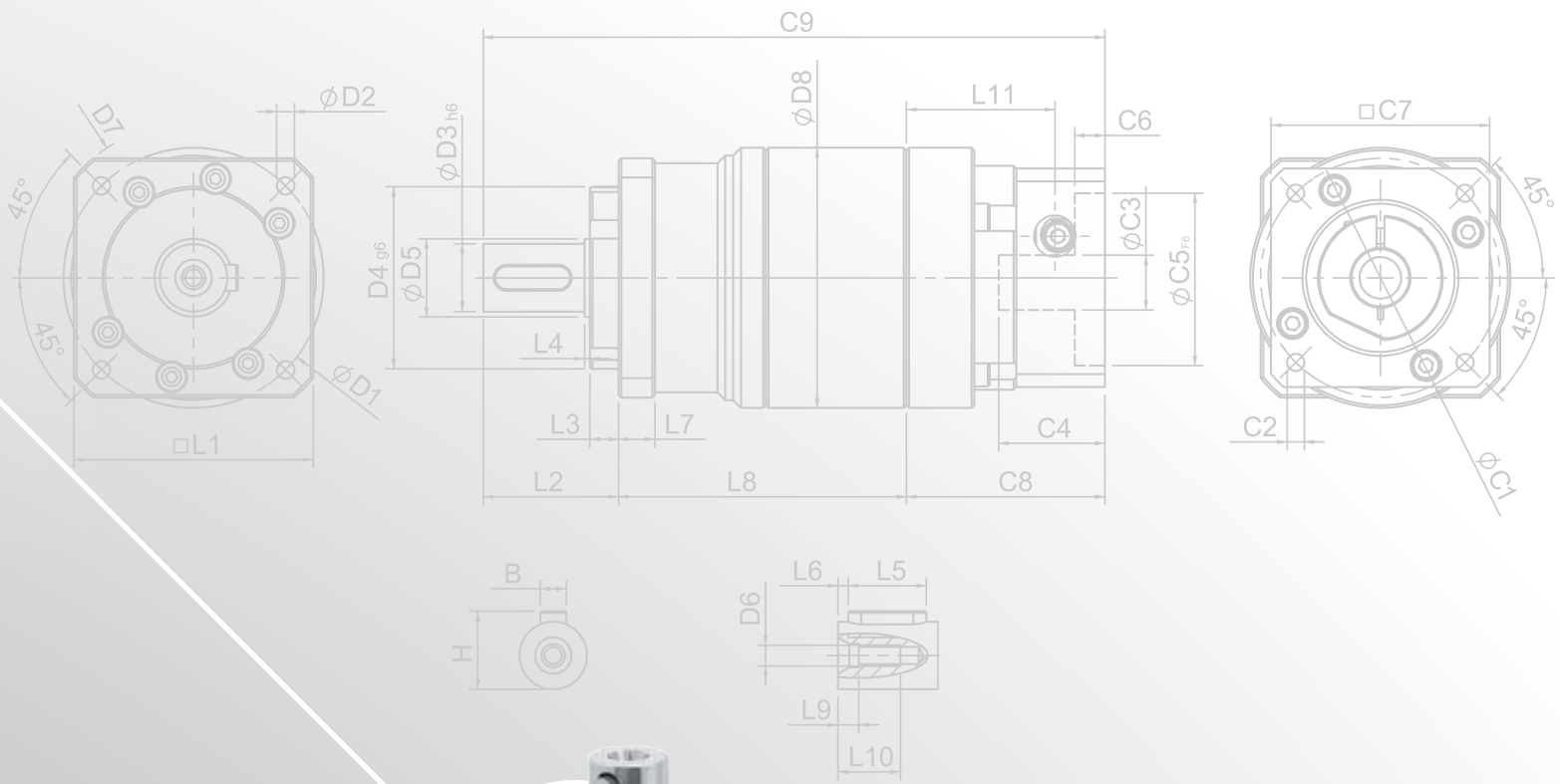
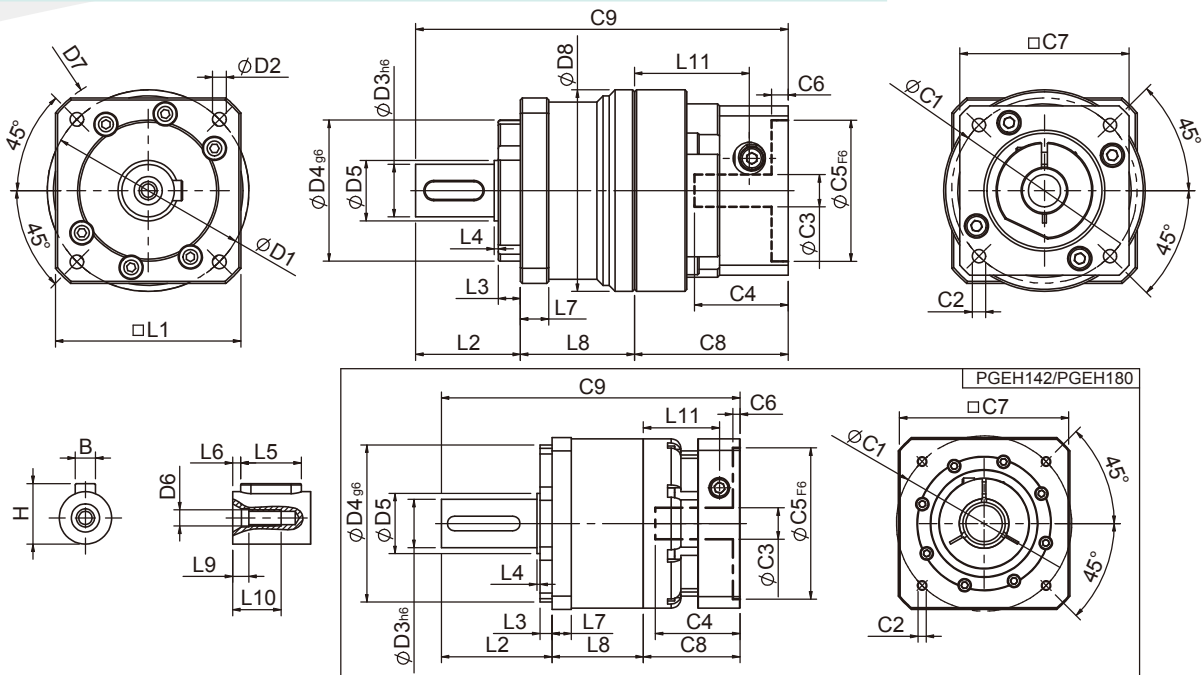


PGEH SERIES





PGEH Single Stage Dimensions PGEH單段外型尺寸圖



Specifications 規格

Unit:mm

尺寸 Dimensions	PGEH50	PGEH70	PGEH90	PGEH120	PGEH142	PGEH180
D1	50	70	100	130	165	215
D2	3.4	5.5	6.8	9	10.5	13
D3 _{h6}	13	16	22	32	40	55
D4 _{g6}	35	50	80	110	130	160
D5	15	25	35	45	50	70
D6	M4x0.7P	M5x0.8P	M8x1.25P	M12x1.75P	M16x2.0P	M20x2.5P
D7	60	82	118	148	186	239
D8	50	70	94.5	120	-	-
L1	46	64	90	118	142	182
L2	26	37	43	59	91.5	100.5
L3	5.5	7	5	6	10	16
L4	1	1.5	1.5	3.5	2.5	2.5
L5	15	25	32	40	60	70
L6	2	2	3	5	5	6
L7	7	9.7	13.5	15.7	16	20
L8	28.3	37	51	61	75.5	94
L9	4	4	4.5	6	6	8
L10	12	16.5	20.5	30	38	48
L11	28.5	35.5	40.7	53.8	62.8	70
C1 ²	46	70	90	115	145	200
C2 ²	M4x0.7P	M5x0.8P	M6x1.0P	M8x1.25P	M8x1.25P	M12x1.75P
C3 ²	≤8/≤11	≤14/≤19	≤19/≤24	≤24/≤32/≤38	≤35/≤38	≤50
C4 ²	26.5	37.6	41.4	51.3	66.5	82
C5 ² _{F6}	30	50	70	95	110	114.3
C6 ²	4.1	4.5	6	6	5.5	10
C7 ²	42	60	90	115	140	180
C8 ²	38.1	46.5	55.4	70	80	95
C9 ²	92.4	120.5	149.4	190	247	289.5
B	5	5	6	10	12	16
H	15	18	24.5	35	43	59

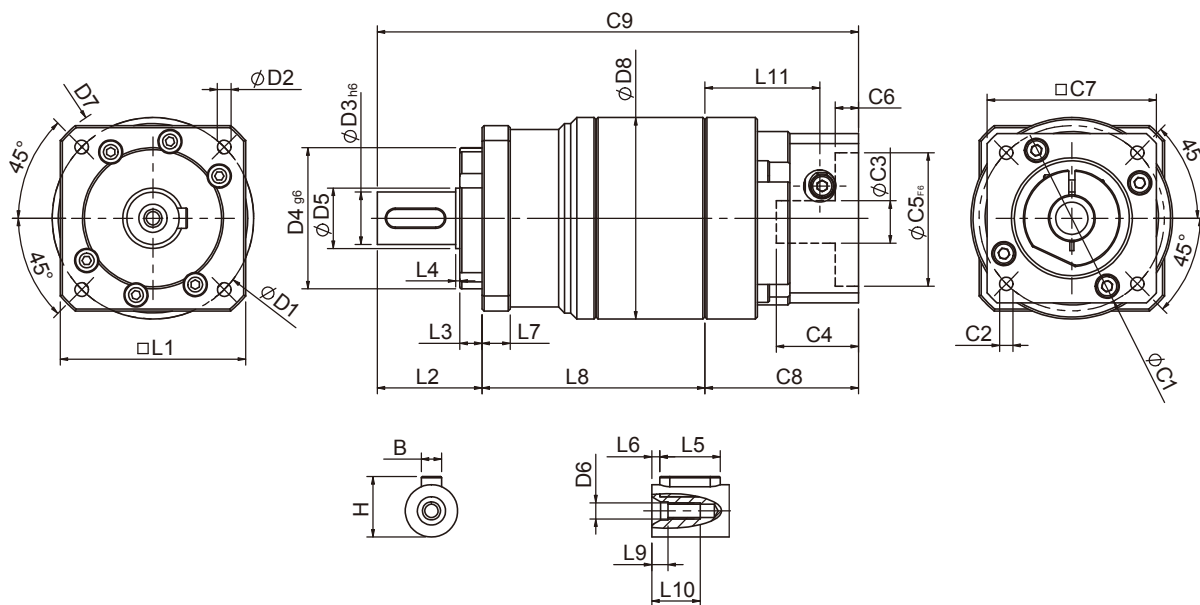
★ C1~C9是公製標準馬達連接板尺寸,請依所選用的馬達決定.

★ 本公司有權針對以上數據規格逕行設計變更不先行告知.

★ C1~C9 are motor specific dimensions(metric std shown), Size may vary according to motor flange.

★ Specification subject to change without notice.

PGEH Double Stage Dimensions-1 PGEH雙段外型尺寸圖-1



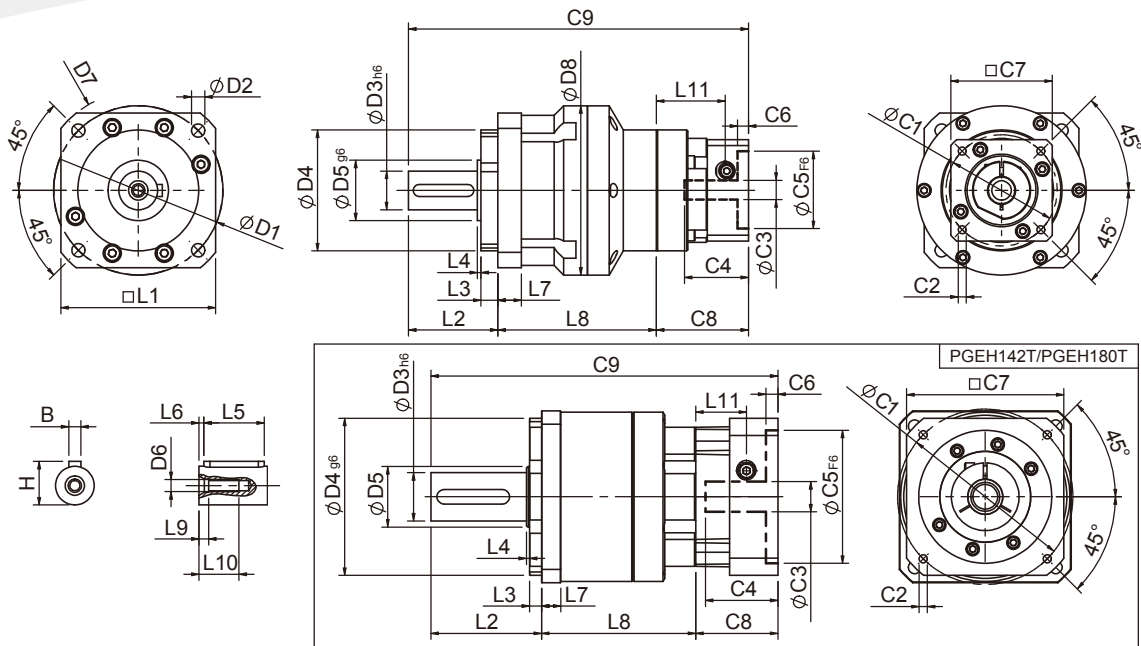
Specifications 規格 Unit:mm

尺寸 Dimensions	PGEH50	PGEH70	PGEH90
D1	50	70	100
D2	3.4	5.5	6.8
D3 _{h6}	13	16	22
D4 _{g6}	35	50	80
D5	15	25	35
D6	M4x0.7P	M5x0.8P	M8x1.25P
D7	60	82	118
D8	50	70	94.5
L1	46	64	90
L2	26	37	43
L3	5.5	7	5
L4	1	1.5	1.5
L5	15	25	32
L6	2	2	3
L7	7	9.7	13.5
L8	55.3	70	95
L9	4	4	4.5
L10	12	16.5	20.5
L11	28.5	35.5	40.7
C1 ²	46	70	90
C2 ²	M4x0.7P	M5x0.8P	M6x1.0P
C3 ²	≤8/≤11	≤14/≤19	≤19/≤24
C4 ²	26.5	37.6	41.4
C5 ² _{F6}	30	50	70
C6 ²	4.1	4.5	6
C7 ²	42	60	90
C8 ²	38.1	46.5	55.4
C9 ²	119.4	153.5	193.4
B	5	5	6
H	15	18	24.5

★ C1~C9是公製標準馬達連接板尺寸,請依所選用的馬達決定。
 ★ 本公司有權針對以上數據規格運行設計變更不先行告知。

★ C1~C9 are motor specific dimensions(metric std shown),
 Size may vary according to motor flange.
 ★ Specification subject to change without notice.

PGEH Double Stage Dimensions-2 PGEH雙段外型尺寸圖-2



Specifications 規格

Unit:mm

尺寸 Dimensions	PGEH70T	PGEH90T	PGEH120T	PGEH142T	PGEH180T
D1	70	100	130	165	215
D2	5.5	6.8	9	10.5	13
D3 _{h6}	16	22	32	40	55
D4 _{g6}	50	80	110	130	160
D5	25	35	45	50	70
D6	M5x0.8P	M8x1.25P	M12x1.75P	M16x2.0P	M20x2.5P
D7	82	118	148	186	239
D8	70	94.5	120	-	-
L1	64	90	118	142	182
L2	37	43	59	91.5	100.5
L3	7	5	6	10	16
L4	1.5	1.5	3.5	2.5	2.5
L5	25	32	40	60	70
L6	2	3	5	5	6
L7	9.7	13.5	15.7	16	20
L8	65.5	83.5	103.5	127.5	166
L9	4	4.5	6	6	8
L10	16.5	20.5	30	38	48
L11	28.5	35.5	40.7	41.8	62.8
C1 ²	46	70	90	115	145
C2 ²	M4x0.7P	M5x0.8P	M6x1.0P	M8x1.25P	M8x1.25P
C3 ²	≤8/≤11	≤14/≤19	≤19/≤24	≤24/≤32/≤38	≤35
C4 ²	26.5	37.6	41.4	56	66.5
C5 ² _{F6}	30	50	70	95	110
C6 ²	4.1	4.5	6	10	5.5
C7 ²	42	60	90	115	140
C8 ²	38.1	46.5	55.4	63	80
C9 ²	140.6	173	217.9	282	346.5
B	5	6	10	12	16
H	18	24.5	35	43	59

★ C1~C9是公製標準馬達連接板尺寸,請依所選用的馬達決定.

★ 本公司有權針對以上數據規格逕行設計變更不先行告知.

★ C1~C9 are motor specific dimensions(metric std shown), Size may vary according to the motor flange chosen.

★ Specification subject to change without notice.

PGEH Specifications Table PGEH性能規格共表

規格 Specifications	節數 Stage	減速比 Ratio	PGEH-50	PGEH-70	PGEH-90	PGEH-120	PGEH-142	PGEH-180	
額定輸出力矩 T_{2N} Nominal Output Torque	1	3	19	53	145	290	520	950	
		4	20	55	150	300	550	1000	
		5	17	54	140	290	600	1050	
		6	15	46	135	280	560	1000	
		7	14	44	125	270	530	960	
		8	12	41	110	240	480	900	
		9	11	37	95	220	430	800	
		10	11	37	95	220	430	800	
		2	15	19	53	145	290	520	950
			20	20	55	150	300	550	1000
	25		17	54	140	290	600	1050	
	30		17	54	140	290	600	1050	
	35		17	54	140	290	600	1050	
	40		17	54	140	290	600	1050	
	45		17	54	140	290	600	1050	
	50		17	54	140	290	600	1050	
	60		15	46	135	280	560	1000	
	70		14	44	125	270	530	960	
	80	12	41	110	240	480	900		
90	11	37	95	220	430	800			
100	11	37	95	220	430	800			
急停力矩 T_{2NOT} Emergency Stop Torque	N · m	3.0倍額定輸出力矩 (3.0 times of Nominal Output Torque) (* 最大輸出力矩 Max. Output Torque T_{2B} = 60% of Emergency Stop Torque)							
額定輸入轉速 n_{1N} Nominal Input Speed	rpm	1,2	3-100	4000	4000	3000	3000	2500	2500
最大輸入轉速 n_{1max} Max. Input Speed	rpm	1,2	3-100	8000	8000	6000	6000	5000	4000
精密背隙 Micro Backlash P0	arcmin	1	3-10	≤ 4	≤ 4	≤ 4	≤ 3	≤ 3	≤ 3
		2	12-100	≤ 6	≤ 6	≤ 6	≤ 5	≤ 5	≤ 5
精密背隙 Precision Backlash P1	arcmin	1	3-10	≤ 6	≤ 6	≤ 6	≤ 5	≤ 5	≤ 5
		2	12-100	≤ 8	≤ 8	≤ 8	≤ 7	≤ 7	≤ 7
標準背隙 Standard Backlash P2	arcmin	1	3-10	≤ 8	≤ 8	≤ 8	≤ 7	≤ 7	≤ 7
		2	12-100	≤ 10	≤ 10	≤ 10	≤ 9	≤ 9	≤ 9
扭轉剛性 Torsional Rigidity	N · m / arcmin	1,2	3-100	2.5	6	12	23	50	145
容許徑向力 F_{2RB}^1 Max. Radial Load	N	1,2	3-100	640	1260	2230	4300	7140	11050
容許軸向力 F_{2aB}^1 Max. Axial Load	N	1,2	3-100	410	600	1500	3310	4670	6460
使用溫度 Operating Temp.	°C		3-100	-10°C ~ +90°C					
使用壽命 Service Life	hr		3-100	20,000 (10,000/連續運轉 Continuous operation)					
效率 Efficiency	%	1	3-10	≥ 97%					
		2	12-100	≥ 94%					
重量 Weight	kg	1	3-10	0.6	1.3	3.5	7.8	16.1	27
		2	12-100	0.9	2.0/1.6	5.6/3.9	9.5	19	34
安裝方向 Mounting Position	-	1,2	3-100	任意方向 Any Direction					
噪音值 Noise Level ²	dB(A)/1m	1,2	3-100	58	60	63	65	67	68
防護等級 Protection Class	-	1,2	3-100	IP65					
潤滑 Lubrication	-	1,2	3-100	全合成潤滑油脂 Synthetic Lubricant					
減速機轉動慣量 Inertia(J1)									
節數 Stage	減速比 Ratio	單位 unit	PGEH-50	PGEH-70	PGEH-90	PGEH-120	PGEH-142	PGEH-180	
1	3	Kg · cm ²	0.03	0.23	0.97	2.35	10.00	30.50	
	4		0.02	0.18	0.67	1.66	7.17	25.86	
	5		0.02	0.17	0.65	1.50	6.52	23.63	
	6/7/8		0.02	0.14	0.60	1.45	6.17	22.92	
	9/10		0.02	0.14	0.58	1.41	6.10	22.73	
2	15/20/25		PGEH-50	0.02	0.17(0.02)	0.65(0.17)	0.65	1.50	6.52
	30/35/40		PGEH-70(T)	0.02	0.14(0.02)	0.60(0.14)	0.60	1.45	6.17
	45/50/60/70/80/90/100		PGEH-90(T)	0.02	0.14(0.02)	0.58(0.14)	0.58	1.41	6.10
			PGEH-120T	0.02	0.14(0.02)	0.58(0.14)	0.58	1.41	6.10
	PGEH-142T		0.02	0.14(0.02)	0.58(0.14)	0.58	1.41	6.10	

* 1. 輸出轉速 100rpm 時，作用於輸出軸中心位置。Applied to the output shaft center @100rpm.
 * 2. 3000rpm 空載量測。Measured at 3000 rpm with no load. These values are measured by gearbox with ratio = 10 (1-stage) or ratio = 100 (2-stage) at nominal input speed or 3000 rpm (if nominal input speed is higher than 3000 rpm) with no load.
 ※本公司有權對以上數據規格逕行設計變更不先行告知。The above figures/specifications are subject to change without prior notice.

Products due to human error, natural disasters or other factors lead to poor or damaged, will not be covered under warranty.
 產品因人為原因或天災等因素導致不良或損壞，不在保固範圍內。

PHL PHFR PHF PGH PUK PUL PUA PGLH PGCH PGEH PGSH PGL PGC PGE SGC SGE PGRH PGR PGFR PGF PBC PBE PAE PAC PAN PGS PNS PGW