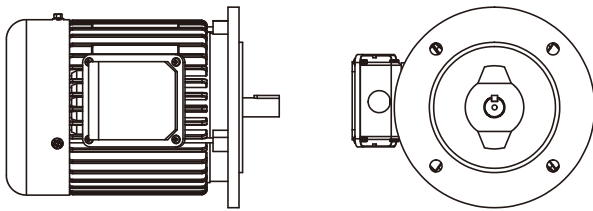
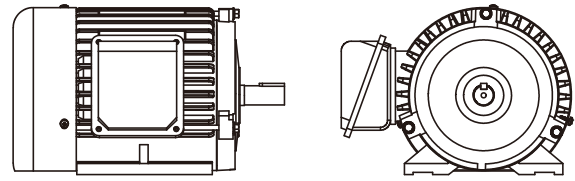


IE3 High Efficiency Motor Specification

Power (HP)	V-CASING TYPE				H-CASING TYPE				Full Load Running (RPM)	EFF(%)
	Size	FIGURE NO.	(3 Phase)		FIGURE NO.	(3 Phase)				
			220V	380V		220V	380V			
4P			60Hz			60Hz		60Hz	60Hz	
1	80M	1	3.04	1.79	2	3.04	1.79	1750	85.5	
2	90L	1	5.53	3.23	2	5.53	3.23	1750	87.5	
3	100L	1	7.92	4.57	2	7.92	4.57	1750	90.6	

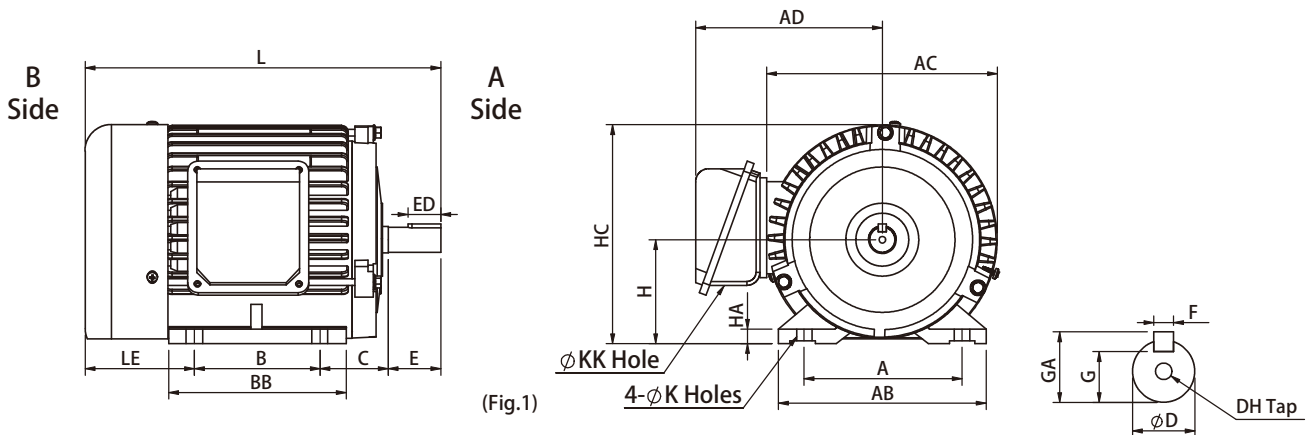


(Fig.1)



(Fig.2)

IE3 High Efficiency Motor Dimension H-casing Type



(Fig.1)

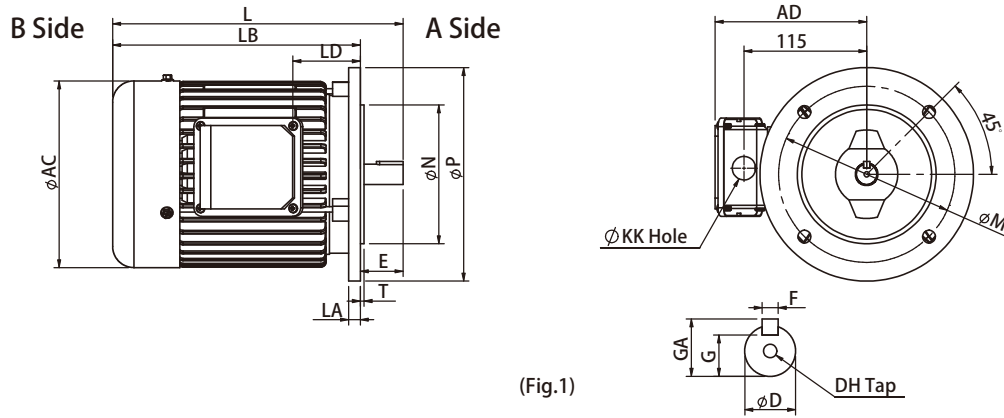
H-casing Type Dimension (mm)

Power (HP)	Size	Figure No.	A	AB	AC	AD	B	BB	C	H	HA	HC	K	KK	L	LE	Shaft					Bearing			
																	D	E	ED	F	G	GA	DH	A	B
1	80M	1	125	158	175.5	142	100	135	50	80	11	167	10	22	270.5	80.5	19	40	25	6	15.5	21.5	M6x12	6204	6203
2	90L	1	140	173	198.5	154.5	125	151	56	90	11.3	188.5	10	22	325	94	24	50	32	8	20	27	M8x16	6205	6204
3	100L	1	160	196.5	223	180	140	174	63	100	13.5	210	12	28	360	97	28	60	40	8	24	31	M10x20	6206	6205

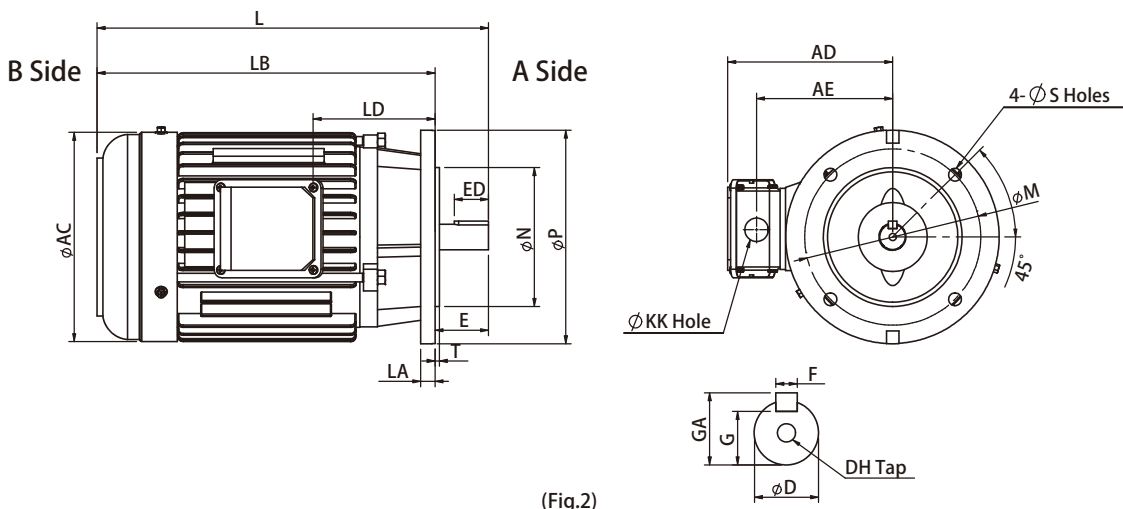
■ Under normal usage, products come with a one-year limited warranty. ■ Specifications subject to change without notice.

Products due to human error, natural disasters or other factors lead to poor or damaged, will not be covered under warranty.

IE3 High Efficiency Motor Dimension V-casing Type



(Fig.1)



(Fig.2)

V-casing Type Dimension (mm)

Power (HP)	Size	Figure No.	AC	AD	AE	KK	L	LB	LD	M	N	P	S	T	Shaft						Bearing		
															D	E	ED	F	G	GA	DH	A	B
1	80M	1	175	142	115	22	272	232	61	165	130	200	12	3.5	19	40	25	6	15.5	21.5	M6x12	6204	6203
2	90L	2	196	155	128	22	367	317	114	165	130	200	12	4	24	50	32	8	20	27	M8x16	6205	6204
3	100L	1	219	180	146	28	362	302	87	210	180	250	20	4	28	60	40	8	24	31	M10x20	6206	6205

■ Under normal usage, products come with a one-year limited warranty. ■ Specifications subject to change without notice.

Products due to human error, natural disasters or other factors lead to poor or damaged, will not be covered under warranty.