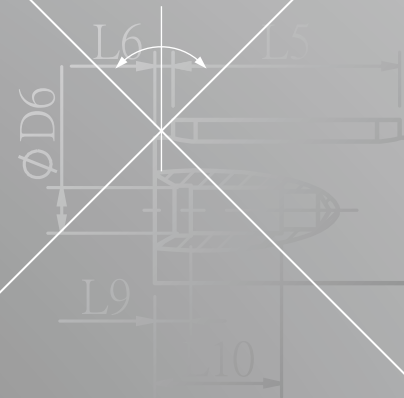
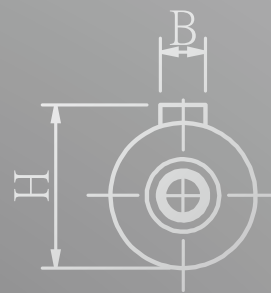
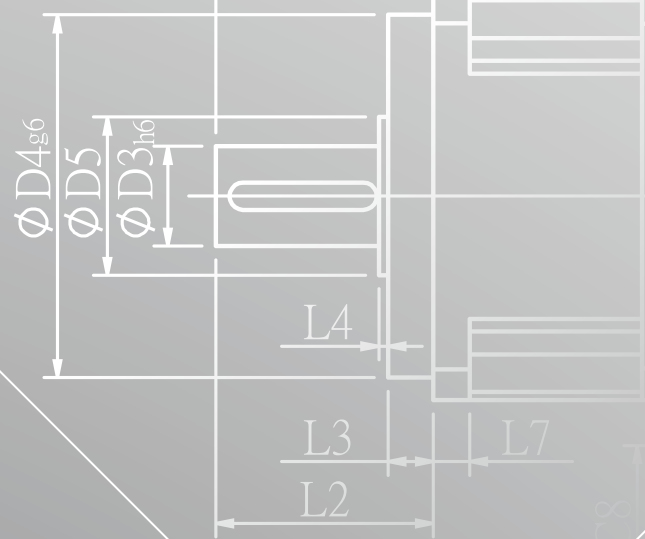
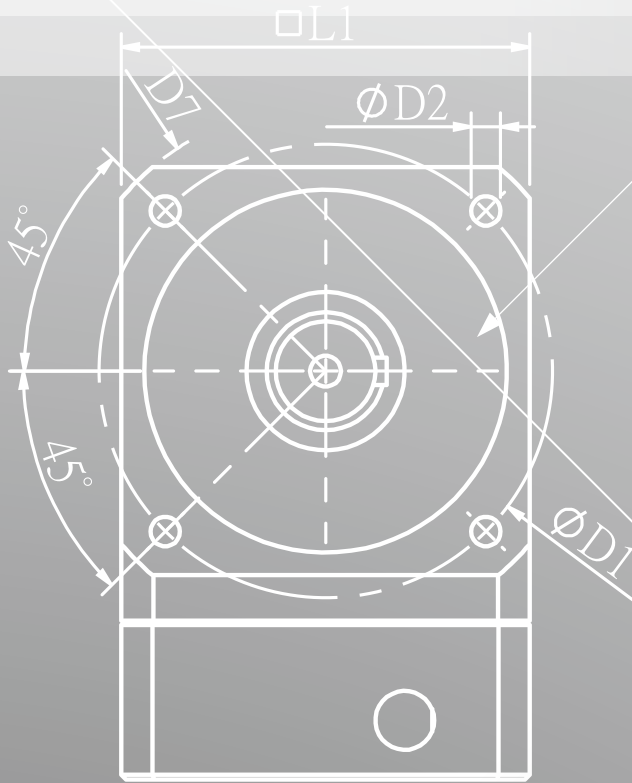
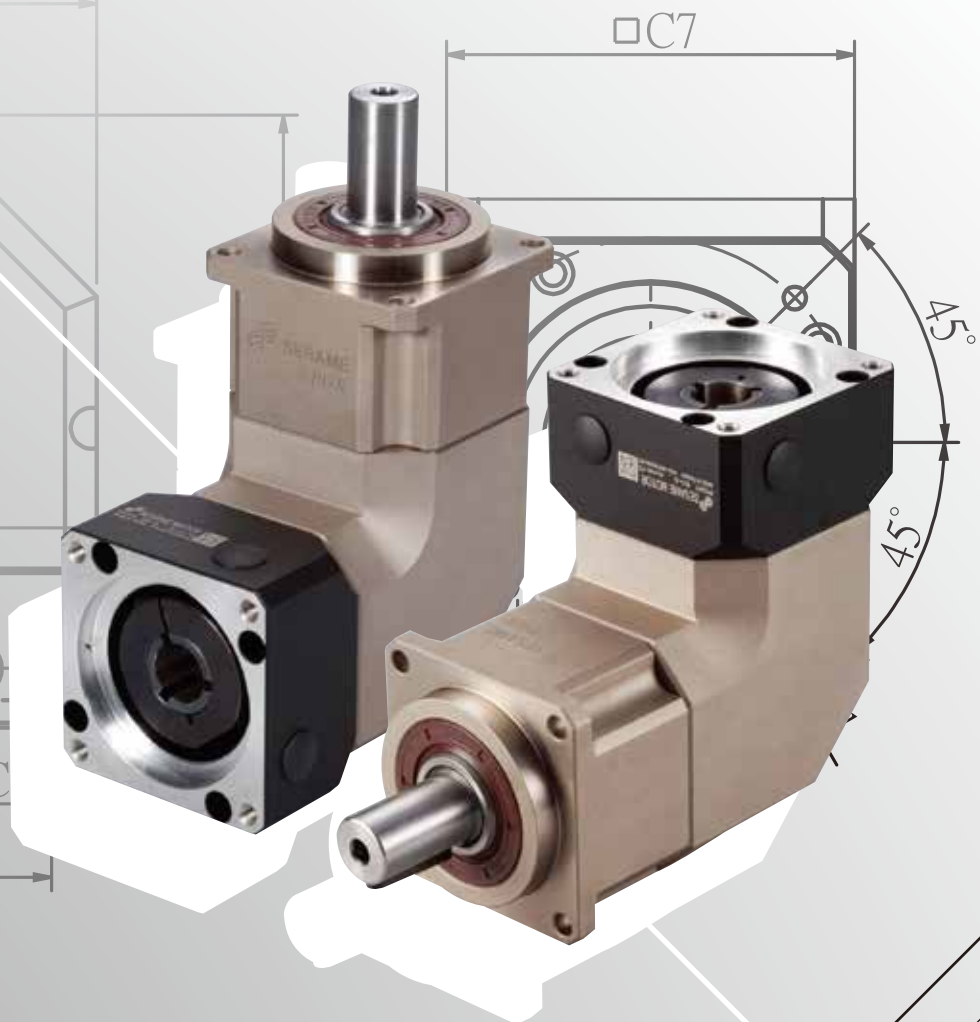


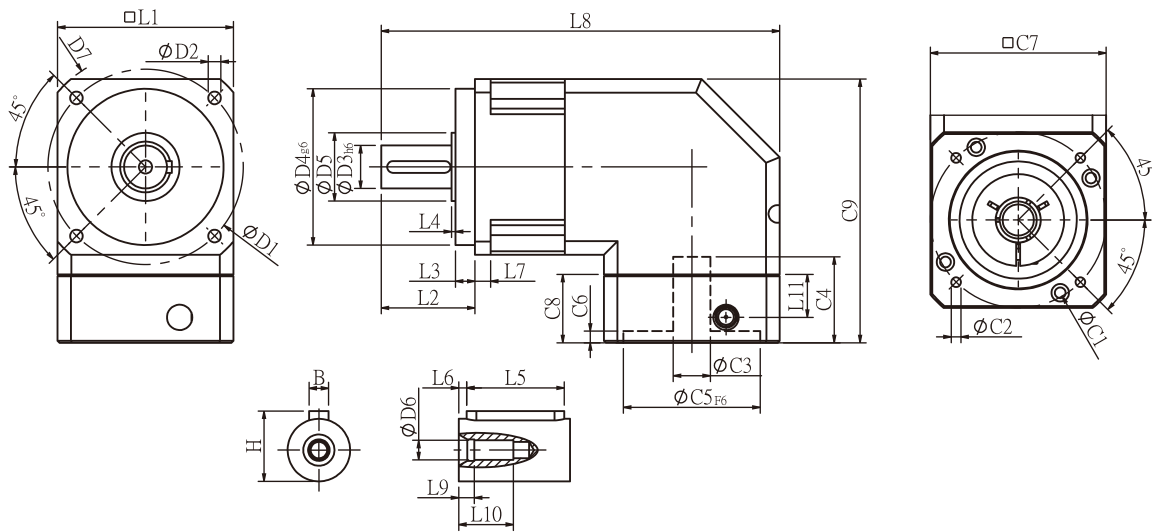
# ***PGR*** SERIES



L8



## ● PGR Single Stage Dimensions PGR單段外型尺寸圖



## ● Specifications 規格

Unit:mm

尺寸 Dimensions	PGR42	PGR60	PGR90	PGR115	PGR142
D1	50	70	100	130	165
D2	3.4	5.5	6.5	8.5	10.5
D3 h6	13	16	22	32	40
D4 g6	35	50	80	110	130
D5	15	25	35	45	50
D6	M4x0.7P	M5x0.8P	M8x1.25P	M12x1.75P	M16x2.0P
D7	56	80	118	148	186
L1	42.6	60	90	115	142
L2	26	37	48	62	93
L3	5.5	7	10	8	8
L4	1.5	1.5	1.5	3	6
L5	15	25	32	40	60
L6	2	2	3	5	5
L7	4	6	8	12	18
L8	103.6	148.7	204	244.5	330
L9	4	4	4.5	6	6
L10	14	16.5	20.5	30	38
L11	13.5	21.5	22	32	44.7
C1 <sup>2</sup>	46	70	90	115	145
C2 <sup>2</sup>	M4x0.7P	M5x0.8P	M6x1.0P	M8x1.25P	M8x1.25P
C3 <sup>2</sup>	≤8/≤11	≤14/≤19	≤19/≤24	≤24/≤32	≤35
C4 <sup>2</sup>	29	34	44	53	75
C5 <sup>2</sup> F6	30	50	70	95	110
C6 <sup>2</sup>	6	5	5	6	9
C7 <sup>2</sup>	42.6	60	90	115	140
C8 <sup>2</sup>	25	33	35	48	65
C9 <sup>2</sup>	70.8	107.8	135	174.5	207
B	5	5	6	10	12
H	15	18	24.5	35	43

★ C1~C9是公製標準馬達連接板尺寸,請依所選用的馬達決定。

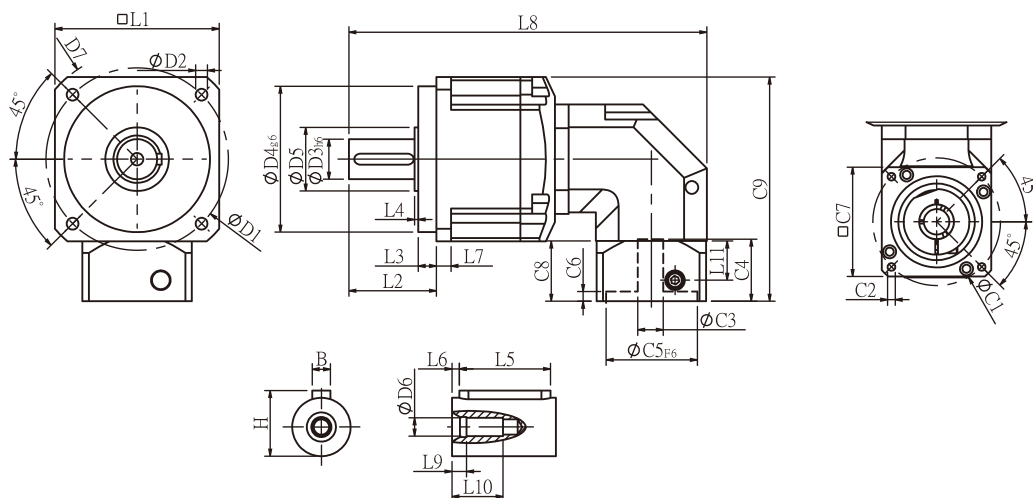
★ 本公司有權針對以上數據規格進行設計變更不先行告知。

★ C1~C9 are motor specific dimensions(metric std shown ), Size may vary according to the motor flange chosen.

★ Specification subject to change without notice.



## PGR Double Stage Dimensions-2 PGR雙段外型尺寸圖-2



## Specifications 規格

Unit:mm

尺寸 Dimensions	PGR60T	PGR90T	PGR115T	PGR142T
D1	70	100	130	165
D2	5.5	6.5	8.5	10.5
D3 <sub>h6</sub>	16	22	32	40
D4 <sub>g6</sub>	50	80	110	130
D5	25	35	45	50
D6	M5x0.8P	M8x1.25P	M12x1.75P	M16x2.0P
D7	80	118	148	186
L1	60	90	115	142
L2	37	48	62	93
L3	7	10	8	8
L4	1.5	1.5	3	6
L5	25	32	40	60
L6	2	3	5	5
L7	6	8	12	18
L8	145.1	196.2	269.4	343.5
L9	4	4.5	6	6
L10	16.5	20.5	30	38
L11	13.5	21.5	22	32
C1 <sup>2</sup>	46	70	90	115
C2 <sup>2</sup>	M4x0.7P	M5x0.8P	M6x1.0P	M8x1.25P
C3 <sup>2</sup>	≤8/≤11	≤14/≤19	≤19/≤24	≤24/≤32
C4 <sup>2</sup>	29	34	44	53
C5 <sup>2</sup> <sub>F6</sub>	30	50	70	95
C6 <sup>2</sup>	6	5	5	6
C7 <sup>2</sup>	42.6	60	90	115
C8 <sup>2</sup>	25	33	35	48
C9 <sup>2</sup>	79.5	122.8	147.5	188
B	5	6	10	12
H	18	24.5	35	43

★ C1~C9是公製標準馬達連接板尺寸,請依所選用的馬達決定。

★ 本公司有權針對以上數據規格進行設計變更不先行告知。

★ C1~C9 are motor specific dimensions(metric std shown ), Size may vary according to the motor flange chosen.

★ Specification subject to change without notice.

## PGR Specifications Table PGR性能規格共表

規格 Specifications		節數 Stage	減速比 Ratio	PGR-42	PGR-60	PGR-90	PGR-115	PGR-142	
額定輸出力矩 $T_{2N}$ Nominal Output Torque	N · m	1	3	13.8	35.3	76.2	220	380	
			4	11.9	35.9	74.6	249	450	
			5	13.8	43.0	95.2	283	473	
			6	12.5	39.4	90.9	220	420	
			7	11.9	36.0	85.6	219	400	
			8	10.9	32.4	85.0	216	363	
			9	9.8	28.7	80.0	210	320	
			10	13.8	43.0	95.2	260	473	
			2	減速比 Ratio	PGR-42	PGR-60 / 60T	PGR-90 / 90T	PGR-115 / 115T	PGR-142 / 142T
				15	13.8	44.2	95.2	283	482
		20		11.9	35.9	74.6	249	490	
		25		13.8	43.0	95.2	283	473	
		30		13.8	43.0	95.2	283	473	
		35		13.8	43.0	95.2	283	473	
		40		13.8	43.0	95.2	283	473	
		45		13.8	43.0	95.2	283	473	
		50		13.8	43.0	95.2	283	473	
		60		12.5	39.4	90.9	266	436	
		70	11.9	36.0	85.6	219	400		
		80	10.9	32.4	85.0	216	363		
90	9.8	28.7	80.0	210	320				
100	10.1	25.0	75.0	210	320				
急停力矩 $T_{2NOT}$ Emergency Stop Torque	N · m	3.0 倍額定輸出力矩 (3.0 times of Nominal Output Torque) (* 最大輸出力矩 Max. Output Torque $T_{2B}$ = 60% of Emergency Stop Torque)							
額定輸入轉速 $n_{1N}$ Nominal Input Speed	rpm	1,2	3-100	3000	3000	3000	2500	2000	
最大輸入轉速 $n_{1max}$ Max. Input Speed	rpm	1,2	3-100	6000	6000	6000	5000	4000	
超精密背隙 Micro Backlash P0	arcmin	1	3-10	-	-	-	≤ 4	≤ 4	
		2	15-100	-	-	-	≤ 6	≤ 6	
精密背隙 Precision Backlash P1	arcmin	1	3-10	-	-	≤ 6	≤ 6	≤ 6	
		2	15-100	-	-	≤ 9	≤ 8	≤ 8	
標準背隙 Standard Backlash P2	arcmin	1	3-10	≤ 12	≤ 9	≤ 9	≤ 9	≤ 9	
		2	15-100	≤ 15	≤ 12	≤ 12	≤ 11	≤ 11	
扭轉剛性 Torsional Rigidity	N · m / arcmin	1,2	3-100	1.0	2.8	7.5	15.5	30	
容許徑向力 $F_{2RB}^{-1}$ Max. Radial Load	N	1,2	3-100	350	960	1630	3380	6150	
容許軸向力 $F_{2aB}^{-1}$ Max. Axial Load	N	1,2	3-100	320	900	1420	2930	5510	
使用溫度 Operating Temp.	°C	-10°C ~ +90°C							
使用壽命 Service Life	hr	3-100 20,000 (10,000/連續運轉 Continuous operation)							
效率 Efficiency	%	1	3-10	≥ 94%					
		2	15-100	≥ 90%					
重量 Weight	kg	1	3-10	1.0	2.5	6.5	13.2	24.6	
		2	15-100	1.3	3.2/2.8	8.6/6.9	17.7/14.5	29.7/26.2	
安裝方向 Mounting Position	-	1,2	3-100	任意方向 Any direction					
噪音值 Noise Level <sup>2</sup>	dB(A)/1m	1,2	3-100	65	67	70	70	75	
防護等級 Protection Class	-	1,2	3-100	IP65					
潤滑 Lubrication	-	1,2	3-100	全合成潤滑油脂 Synthetic Lubricant					
減速機轉動慣量 Inertia(J1)									
節數 Stage	減速比 Ratio	單位 unit		PGR-42	PGR-60	PGR-90	PGR-115	PGR-142	
1	3/4/5/7/9	Kg · cm <sup>2</sup>		0.06	0.40	2.28	6.87	24.2	
	6/8/10			0.05	0.30	1.45	4.76	14.5	
2	15/20/25/35/45			PGR-42	PGR-60(T)	PGR-90(T)	PGR-115(T)	PGR-142(T)	
	others			0.06	0.40(0.08)	2.28(0.72)	6.87(3.02)	24.2(7.83)	
		0.05	0.30(0.06)	1.45(0.38)	4.76(1.64)	14.5(5.00)			

\* 1. 輸出轉速 100rpm 時 · 作用於輸出軸中心位置 · Applied to the output shaft center @100rpm.

\* 2. 3000rpm 空載量測 · Measured at 3000 rpm with no load. These values are measured by gearbox with ratio = 10 (1-stage) or ratio = 100 (2-stage) at nominal input speed or 3000 rpm (if nominal input speed is higher than 3000 rpm) with no load.

\* 3. PGR115T-□□-P0 不適用上表 · PGR115T-□□-P0 is not applicable.

※本公司有權對以上數據規格逕行設計變更不先行告知 · The above figures/specifications are subject to change without prior notice.

Products due to human error, natural disasters or other factors lead to poor or damaged, will not be covered under warranty.

產品因人為原因或天災等因素導致不良或損壞 · 不在保固範圍內 ·

PHL PHFR PHF PGH PUR PUL PUA PGLH PGCH PGEH PGSH PGL PGC PGE SGC SGE PGRH PGR PGFR PGF PBC PBE PAE PAC PAN PGS PNS PGW