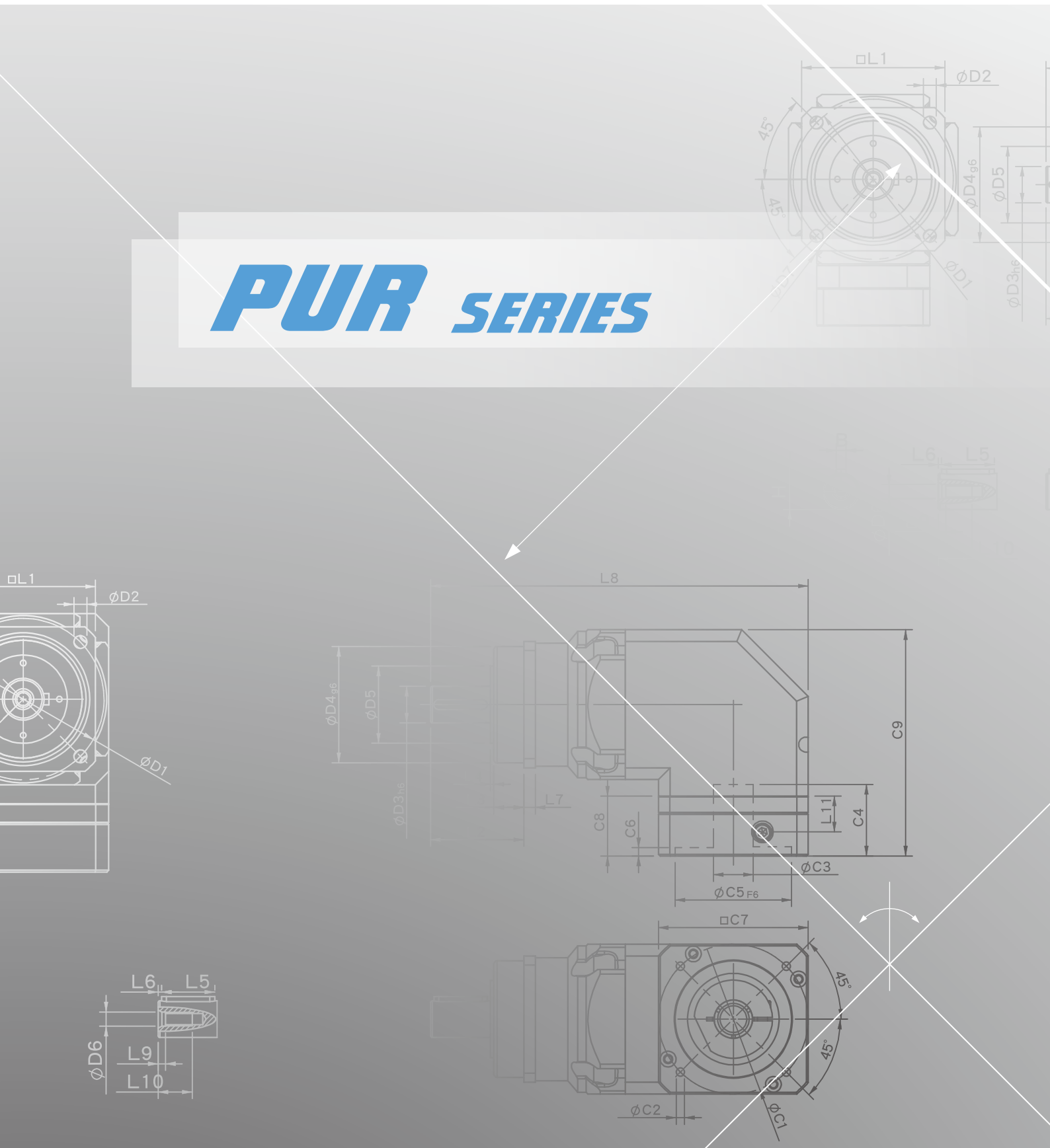
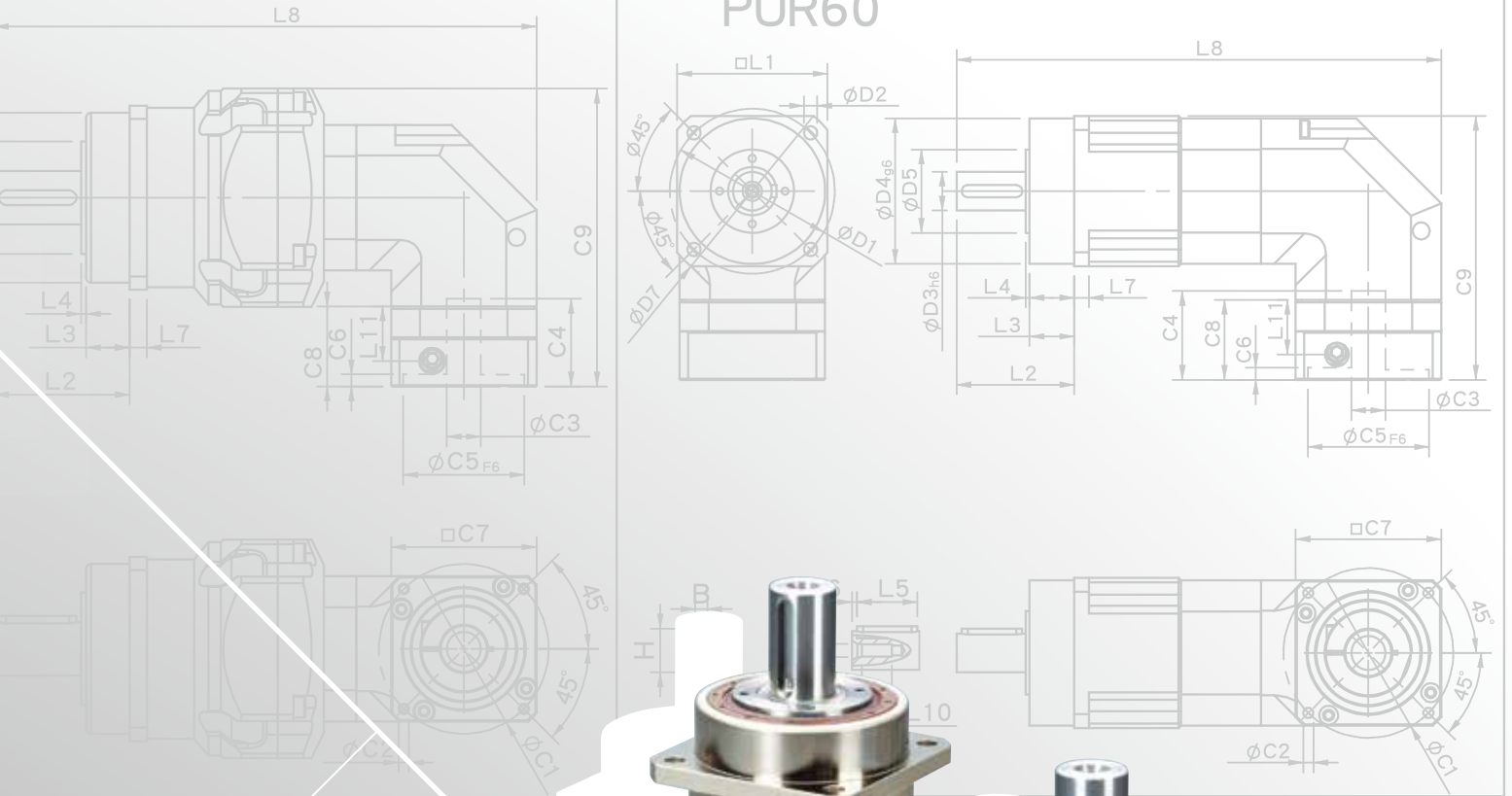


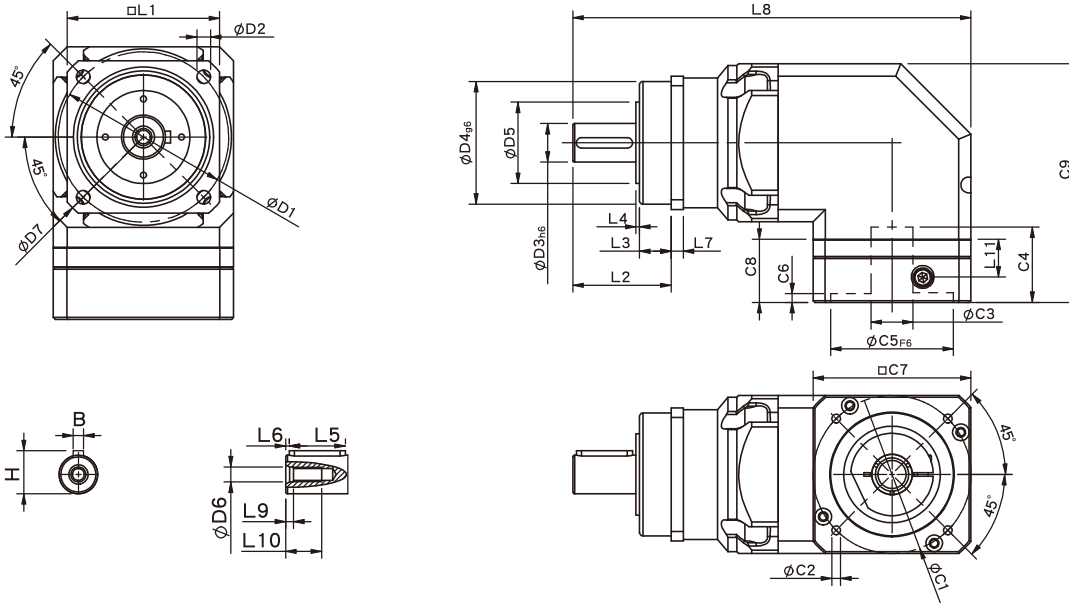
PUR SERIES



PUR60



PUR Single Stage Dimensions PUR單段外型尺寸圖



Specifications 規格

Unit:mm

尺寸	PUR60	PUR75	PUR100	PUR140	PUR180	PUR220
D1 ^{H7}	68	85	120	165	215	250
D2	5.5	6.8	9	11	13	17
D3 ^{h6}	16	22	32	40	55	75
D4 ^{g6}	60	70	90	130	160	180
D5	34.4	46.4	59.6	79.2	94.5	114.4
D6	M5x0.8P	M8x1.25P	M12x1.75P	M16x2.0P	M20x2.5P	M20x2.5P
D7	80	100	138	186	239	292
L1	62	76	105	142	180	220
L2	48.5	56	88	112	112	138
L3	18.5	18	28	27	27	30
L4	1.5	2	2	3	3	3
L5	25	32	40	60	70	90
L6	2	2	5	5	6	7
L7	6	7	10	12	15	20
L8	166.7	227	260.5	346.2	414.7	490.2
L9	4	4.5	6	6	8	15
L10	16.5	20.5	30	38	48	42
L11	22.5	21.5	31.8	44.7	44	60
C1*	70	90	115	145	200	215
C2*	M5x0.8P	M6x1.0P	M8x1.25P	M8x1.25P	M12x1.75P	M12x1.75P
C3*	≤14/≤19	≤19/≤24	≤24/≤32	≤35	≤50	≤55
C4*	34	45	53.5	76.8	78.8	98.7
C5 ^{F6} *	50	70	95	110	114.3	180
C6*	4	4	6	5.5	6	6
C7*	60	90	115	140	180	220
C8*	33	36	48	65	65	85
C9*	108.8	136	174.5	207	247.5	287.5
B	5	6	10	12	16	20
H	18	24.5	35	43	59	79.5

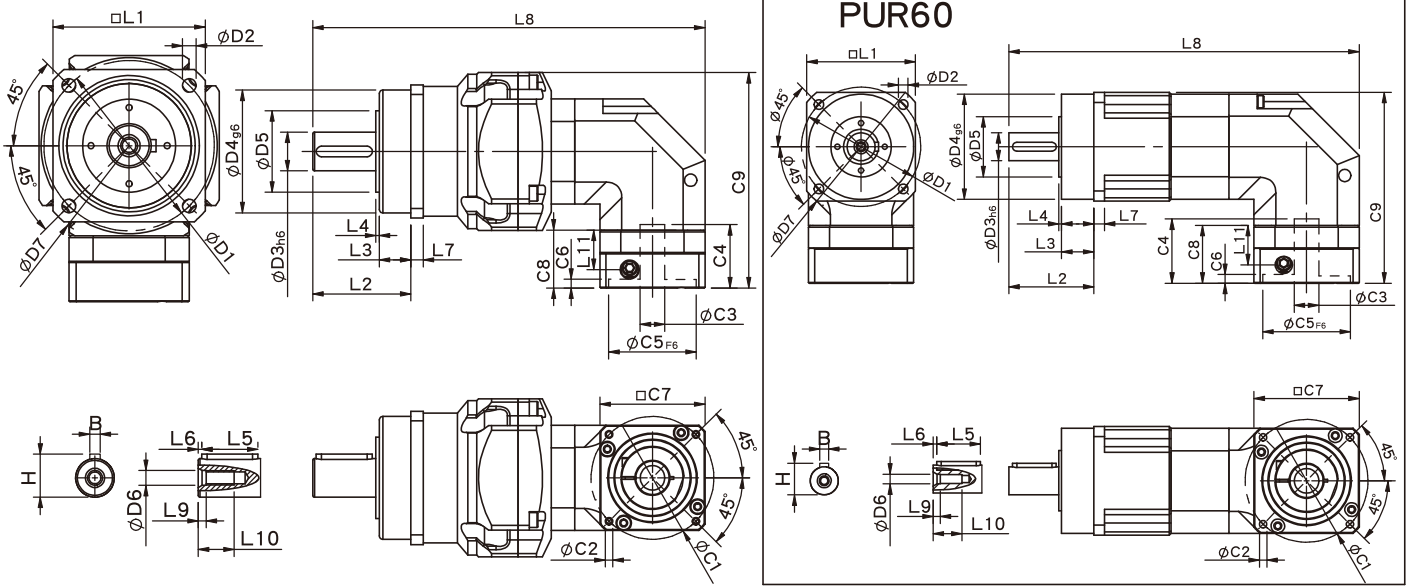
* C1~C9是公製標準馬達連接板尺寸,請依所選用的馬達決定。

* 本公司有權針對以上數據規格逕行設計變更不先行告知。

* C1~C9 are motor specific dimensions(metric std shown), Size may vary according to motor flange.

* Specification subject to change without notice.

PUR Double Stage Dimensions PUR雙段外型尺寸圖



Specifications 規格 Unit:mm

尺寸 Dimensions	PUR60	PUR60T	PUR75T	PUR100T	PUR140T	PUR180T	PUR220T
D1	68	68	85	120	165	215	250
D2	5.5	5.5	6.8	9	11	13	17
D3 h6	16	16	22	32	40	55	75
D4 g6	60	60	70	90	130	160	180
D5	34.4	34.6	46.4	59.6	79.2	94.5	114.4
D6	M5x0.8P	M5x0.8P	M8x1.25P	M12x1.75P	M16x2.0P	M20x2.5P	M20x2.5P
D7	80	80	100	138	186	239	292
L1	62	62	76	105	142	180	220
L2	48.5	48.5	56	88	112	112	138
L3	18.5	18.5	18	28	27	27	30
L4	1.5	1.5	2	2	3	3	3
L5	25	25	32	40	60	70	90
L6	2	2	2	5	5	6	7
L7	6	6	7	10	12	15	20
L8	199.7	170.3	223.7	286.5	358.5	445.4	537.2
L9	4	4	4.5	6	6	8	15
L10	16.5	16.5	20.5	30	38	48	42
L11	22.5	15.5	22.5	21.5	31.8	44.7	44
C1 ²	70	46	70	90	115	145	200
C2 ²	M5x0.8P	M4x0.7P	M5x0.8P	M6x1.0P	M8x1.25P	M8x1.25P	M12x1.75P
C3 ²	≤14/≤19	≤8/≤11	≤14/≤19	≤19/≤24	≤24/≤32	≤35	≤50
C4 ²	34	29	34	45	53.5	76.8	78.8
C5 ² F6	50	30	50	70	95	110	114.3
C6 ²	4	4	4	6	6	5.5	6
C7 ²	60	42.6	60	90	115	140	180
C8 ²	33	25	33	36	48	65	65
C9 ²	108.8	80.5	122.8	148.5	188	223.5	267.5
B	6	5	6	10	12	16	20
H	18	18	24.5	35	43	59	79.5

★ C1~C9是公製標準馬達連接板尺寸,請依所選用的馬達決定。
★ C1~C9 are motor specific dimensions(metric std shown), Size may vary according to the motor flange chosen.
★ 本公司有權針對以上數據規格進行設計變更不先行告知。
★ Specification subject to change without notice.

PUR Specifications Table PUR性能規格共表

規格 Specifications		節數 Stage	減速比 Ratio	PUR-60	PUR-75	PUR-100	PUR-140	PUR-180	PUR-220		
額定輸出力矩 T_{2N} Nominal Output Torque	N • m	1	3	53	145	180	340	580	950		
			4	55	150	240	500	1100	1500		
			5	54	140	290	600	1200	1800		
			6	46	135	280	500	1100	1620		
			7	44	125	270	530	1100	1750		
			8	41	110	240	470	1000	1550		
			9	37	95	220	430	900	1500		
			10	50	130	260	540	900	1500		
			14	44	125	270	530	1100	1750		
			20	37	95	220	430	900	1450		
				節數 Stage	減速比 Ratio	PUR-60 (T)	PUR-75T	PUR-100T	PUR-140T	PUR-180T	PUR-220T
				2	15	53	145	180	600	1200	2000
					20	55	150	240	600	1200	2000
					25	54	140	290	600	1200	2000
					30	53	145	180	600	1200	2000
					35	54	140	290	600	1200	2000
					40	55	150	240	600	1200	2000
					45	54	140	290	600	1200	2000
					50	54	140	290	600	1200	2000
					60	46	135	280	560	1100	1850
		70	44		125	270	530	1100	1750		
		80	41	110	240	480	1000	1550			
		90	37	95	220	430	900	1500			
		100	37	95	220	430	900	1450			
		120	46	135	280	560	1100	1850			
		140	44	125	270	530	1100	1750			
		160	41	110	240	480	1000	1550			
		180	37	95	220	430	900	1500			
		200	37	95	220	430	900	1450			
急停力矩 T_{2NOT} Emergency Stop Torque	N • m		3.0 倍額定輸出力矩 (3.0 times of Nominal Output Torque) (* 最大輸出力矩 Max. Output Torque T_{2B} = 60% of Emergency Stop Torque)								
額定輸入轉速 n_{1N} Nominal Input Speed	rpm	1,2	3-200	5000	4000	4000	3000	3000	2000		
最大輸入轉速 n_{1max} Max. Input Speed	rpm	1,2	3-200	10000	8000	8000	6000	6000	4000		
超精密背隙 Micro Backlash P0	arcmin	1	3-20	-	≤ 3	≤ 2	≤ 2	≤ 2	≤ 2		
		2	15-200	-	≤ 5	≤ 4	≤ 4	≤ 4	≤ 4		
精密背隙 Precision Backlash P1	arcmin	1	3-20	≤ 5	≤ 5	≤ 4	≤ 4	≤ 4	≤ 4		
		2	15-200	≤ 7	≤ 7	≤ 7	≤ 7	≤ 7	≤ 7		
標準背隙 Standard Backlash P2	arcmin	1	3-20	≤ 7	≤ 7	≤ 6	≤ 6	≤ 6	≤ 6		
		2	15-200	≤ 9	≤ 9	≤ 9	≤ 9	≤ 9	≤ 9		
扭轉剛性 Torsional Rigidity	N • m / arcmin	1,2	3-200	7	14	25	50	150	220		
容許徑向力 F_{2RB}^{-1} Max. Radial Load	N	1,2	3-200	4130	5220	10650	17600	22000	27800		
容許軸向力 F_{2aB}^{-1} Max. Axial Load	N	1,2	3-200	2500	3300	5700	11300	14000	16200		
使用溫度 Operating Temp.	°C		3-200	-10 °C ~ +90 °C							
使用壽命 Service Life	hr		3-200	30,000 (15,000/ 連續運轉 Continuous operation)							
效率 Efficiency	%	1	3-20	≥ 95%							
		2	15-200	≥ 92%							
重量 Weight	kg	1	3-20	3.1	5.5	12.5	25.5	46	75		
		2	15-200	3.7(3.3)	4.9	13.6	27	50	88		
安裝方向 Mounting Position	-	1,2	3-200	任意方向 Any direction							
噪音值 Noise Level ²	dBA/1m	1,2	3-200	64	66	68	70	72	74		
防護等級 Protection Class	-	1,2	3-200	IP65							
潤滑 Lubrication	-	1,2	3-200	全合成潤滑油脂 Synthetic Lubricant							
減速機轉動慣量 Inertia(J1)											
節數 Stage	減速比 Ratio	單位 unit		PUR-60	PUR-75	PUR-100	PUR-140	PUR-180	PUR-220		
1	3/4/5/7/9	Kg • cm ²		0.40	2.28	6.87	24.2	69.8	138.2		
	6/8/10/14/20			0.30	1.45	4.76	14.5	50.3	103.6		
節數 Stage	減速比 Ratio			PUR-60(T)	PUR-75T	PUR-100T	PUR-140T	PUR-180T	PUR-220T		
2	15/20/25/35/45			0.40(0.08)	0.72	3.02	7.83	27.7	80.3		
	others		0.30(0.06)	0.38	1.64	5.00	15.9	55.3			

* 1. 輸出轉速 100rpm 時，作用於輸出軸中心位置。Applied to the output shaft center @100rpm.

* 2. 3000rpm 空載量測。Measured at 3000 rpm with no load. These values are measured by gearbox with ratio = 10 (1-stage) or ratio = 100 (2-stage) at nominal input speed or 3000 rpm (if nominal input speed is higher than 3000 rpm) with no load.

※本公司有權對以上數據規格逕行設計變更不先行告知。The above figures/specifications are subject to change without prior notice.

Products due to human error, natural disasters or other factors lead to poor or damaged, will not be covered under warranty.

產品因人為原因或天災等因素導致不良或損壞，不在保固範圍內。